



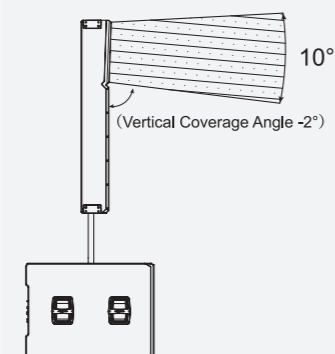
L65+L65S Column System

L65+L65S system is a compact multi-purpose active DSP column system consisting of a passive full-range column speaker L65 and an active DSP controlled compact single 18" subwoofer L65S.

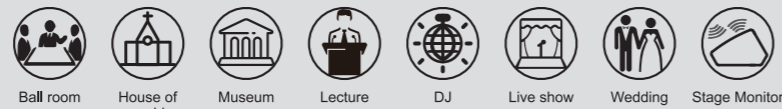
L65 passive full-range column speaker is built with 6pcs 5" customized Audiocenter ferrite drivers and 4pcs 1" customized Beyma ferrite drivers. The drivers are designed with sophisticated measurement and arranged elaborately by physical calibration technology Phycal™ to improve vertical acoustic beam coverage. The ETE™ waveguide system developed by Audiocenter forms cylindrical wave, then couples continually, working together with customized horn design to realize the perfect joint of frequency response, which provides the accurate horizontal coverage and ensures the well-balanced, clean and clear sound. L65 can meet the reinforcement application in different venues and complex space.

L65S is an active DSP controlled compact subwoofer with one 18" customized Audiocenter ferrite driver and very powerful Class D amplifier module. L65S is with built-in Bluetooth that supports multiple signal inputs.

L65+L65S is a plug and play column system with easy set up. The presets are made with a lot of testing. The system can be put in various applications.

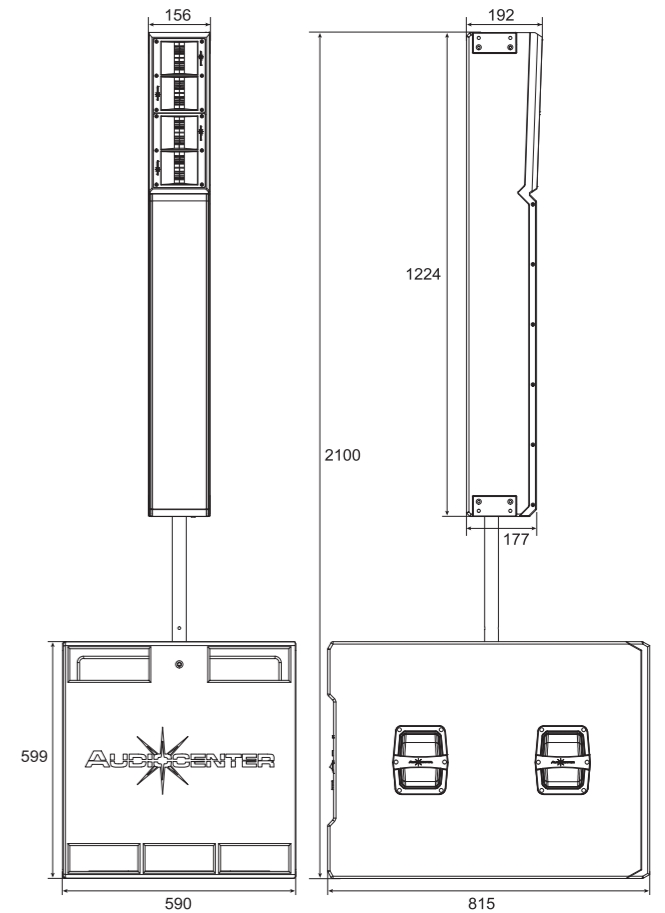


SUGGESTED APPLICATION



SPECIFICATION

Type	Active DSP-controlled Column Speaker System
Frequency Response (-6dB anechoic chamber)	40Hz-20KHz
Maximum Calculated SPL/1M	134dB
Subwoofer	Customized Audiocenter ferrite driver, 1pcs 18" driver
LF Driver	Customized Audiocenter ferrite driver, 6pcs 5" drivers
HF Driver	Customized Beyma ferrite driver, 4pcs 1" drivers
Horizontal Coverage Angle (Symmetrical)	110°
Vertical Coverage Angle (Symmetrical)	10°
DSP	
Processor	96KHz signal sampling frequency, 24bit precision
Crossover	Controlled by DSP
Class D amplifier	
Power	3600W
Frequency Response	20Hz-20KHz(±0.5dB)
Intermodulation Distortion	<0.05%
Total Harmonic Distortion	<0.05%
Protection	DC protection, short circuit protection, overheat protection, input overload protection, output overload protection, soft startup protection, overvoltage protection, undervoltage protection
Cooling System	Fans + air convection
Output / Input	
Signal Input	2×Combo (NEUTRIK® female XLR & Mono jack 6.35), 1×Bluetooth
Signal Output	1×NEUTRIK® male XLR
Amplifier Output Link L65	1×NEUTRIK® NL4MP
Column Input Link L65S	1×NEUTRIK® NL4MP
Power Input	3 pin power socket
Working Voltage	100-130V/60Hz or 220-240V/50Hz
Cabinet	
Cabinet Material	CNC made of excellent wood
L65 Pole Mount	Φ35mm (0/10° adjustable)
L65S Pole Mount	M20 base Φ35mm
Cabinet Color	Black is standard and default color. Consult with Audiocenter sales team for other customized colors
Dimension(W×H×D)	
L65	156×1224×177mm
L65S	590×599×815mm
Height for 1pc L65+1pc L65S+Pole	2100mm
Net Weight	
L65	18Kg
L65S	54Kg



BACK PANEL

